

Stock Code: **62291LEDD-BS/OPL**

Collection: Nitro2

PRODUCT INFORMATION

Base: 62291 Parent: 62291LEDD
Mounting Type: Wall UPC: 641594210828
Finish: Brushed Steel
Diffuser: Opal

PRODUCT MEASUREMENTS

FIXTURE	BACKPLATE / CANOPY
Length:	Length 6"
Width: 7"	Width: 5.25"
Diameter	Diameter:
Height: 5.25"	Height: 1"
Extension: 3.75"	
Overall Height:	

TECHNICAL SPECIFICATIONS

SPECIFICATIONS

Frame Material: Metal
Diffuser Material: Glass
Lamping Type: SSL (Dedicated LED) Jbox: Standard
Lamping Base: SSL Lamp Wattage: 9 W
Lamp Quantity: 1 Total Wattage: 9 W
Voltage: 120v Lamps Included: Yes

QUALIFICATIONS

Location Rating Damp
Certification: UL (US/Canada) Listed
ADA Compliant: Yes Energy Star: No
JA8 Compliant: Yes Emergency Lighting: No
Marine Grade: No Warranty: 5 Year

PHOTOMETRICS

Dimmable: Yes Nominal Lumens 800 Lm
CRI: 90 Delivered Lumens: N/A
CCT: 3000K
Recommended Dimmers:
(ELV)LUTRON Diva DVELV-303P; (TRIAC)LUTRON Diva DV-600P; (ELV)LUTRON Diva DVELV-300P; (ELV)LUTRON Skylark SELV-300P

Additional Notes:

Custom Finish 5 Piece Minimum Order Quantity

Project Name: _____

Location: _____

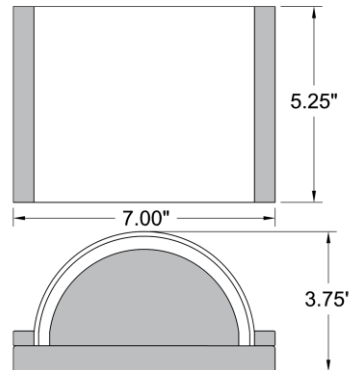
Type: _____

Quantity: _____

Notes:



LINE DRAWING



IES FILE

In addition to Access Lighting's purchase and warranty terms and conditions, by signing below or placing an order, you agree that you are authorized to bind the entity placing any order and acknowledge the following: All of sizes and measurements are approximate and all images are for illustrative purposes only. In the event of an inconsistency, the "Product Measurements" section controls. There also may be slight differences in the colors and designs compared to the displayed and printed images.

Signature: _____

Print Name _____ Date: _____

Toll Free 800-828-5483 www.AccessLighting.com

14410 Myford Road, Irvine, CA 92606

The information is subject to change without notice. 12/15/2022 62291LEDD-BS_OPL.pdf

